

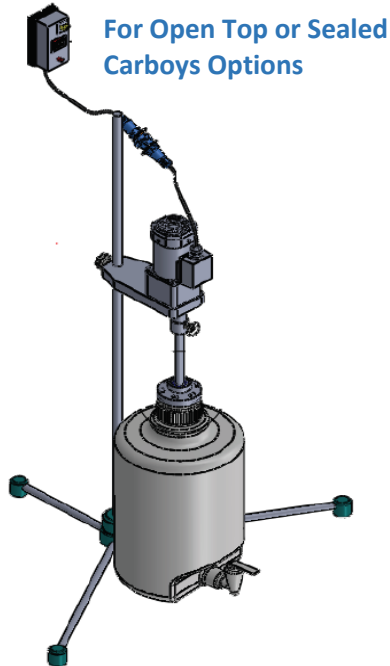
Carboy Mixers – Single Use or CIP/COP Use



Electric

Model: WMP-CBM-90W-QDP-1-2.5

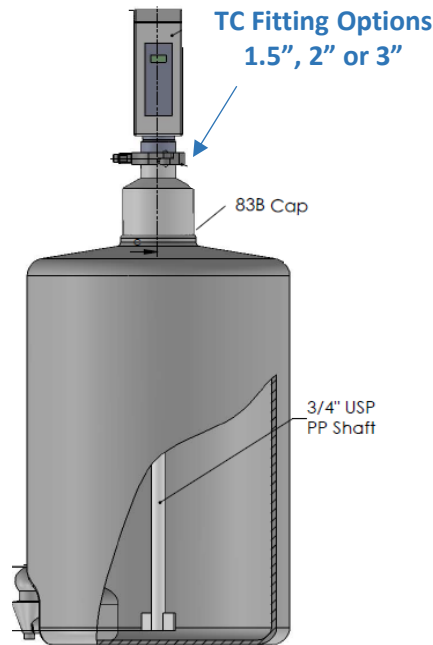
90Watt AC motor with VFD, quick disconnect pin on shaft, seal and 83B cap for carboy. Accessories include stand, VFD package, carboy, disposable seal assembly, shaft and impeller



Electric

Model: WMP-CBM-50W-83B-1-2.5, or
Model: WMP-CBM-200W-83B-1-2.5

110VAC input to 50 or 200 watt motors with built in speed control and integrated 83B cap complete with USPVI Rulon seal system. Accessories include carboy, disposable seal assembly, shaft and impeller



Air – Intrinsically safe

Model: WMP-CBM-0.3HPA-83B-1-2.5

Similar to 50 and 200 watt designs, however this option includes a 245watt SS air motor and integrated 83B cap complete with USPVI Rulon seal system. Accessories include Filter/Regulator for speed control, carboy, disposable seal assembly, shaft and impeller (316LSS, or USPVI PP)

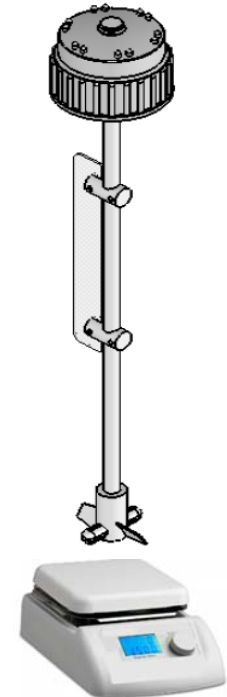


Magnetic Drive Top entry

Model: WMP-MSM1024

Magnetic carboy mixer, all poly design, single or continuous use for various cap options

Magnetic stirrer drive optional



Options available:

- a) Mixers can be designed for single use mixing, or for CIP, COP, or Autoclave
- b) Wetted parts in PP, PVDF, 316LSS, Hast. C, or other exotics materials & plastics
- c) We specialize in customization for your specific needs, and private label as required

Documentation options:

- 1) Bio Pharm Ready with Gold Doc Package
- 2) FDA Sanitary with Silver Doc Package
- 3) Industrial with Bronze Doc Package