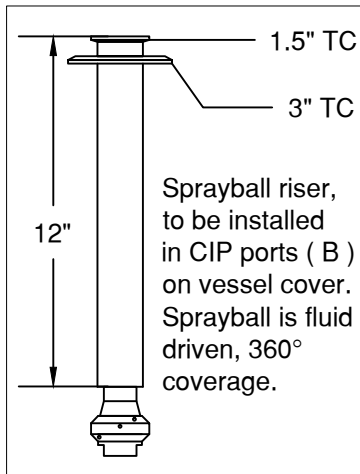


SPRAYBALL RISER DETAIL.



REVISIONS			
REV	DESCRIPTION	DATE:	BY:
4	Changed description of T10289	03-21-14	WW

QTY	ITEM	PART #	DESCRIPTION	LOCATION
1	A	WTCP200	2" TC (MIXER)	TOP
2	B	WTCP300	3" TC (CIP)	TOP
1	C	WTCP100	1" TC (VENT)	TOP
1	D	T10289	1.5" TERRAPORT (DRAIN)	CENTER BOTTOM

NOTES:

- 1- CYL, OPEN-TOP, DOME- BOTTOM, 34" DIA X 35.5" HT, USP CLASS VI, 5/16" WALL, MOLDED NATURAL VIRGIN PP ,W/ PUSH/ PULL HANDLES AND INTEGRATED VFD MOUNT.
- 2-COVER, w/USP CLASS VI EPDM O-RING AND 316SS CAPTIVE FASTENERS.
- 3-MOLDED MOBILE PEDESTAL, LINEAR POLYETHYLENE, BLUE, W/ 6" CASTERS, ALL SWIVEL W/ TOTAL LOCKING BRAKES.
- 4-MIXER MODEL; WMP-BB-90W, 60-600 RPM W/ 110 VOLT SPEED CONTROLLER, AUTOCLAVE DESIGN, 316L SS 20RA MATERIALS, cGMP DOCUMENTS, USP VI LIP SEAL. OPTIONAL ELECTROPOLISH, AIR OR XP MOTOR
- 5-UNIT SUPPLIED WITH ;
 USP CLASS VI EPDM GASKET & 304SS CLAMP FOR ALL TC CONNECTIONS.
 1.5" 90° PP USP CLASS VI ELBOW. 1 PC
 1.5", USP CLASS VI PP NAT/ EPDM DIAPHRAGM VALVE. 1PC
 SPRAYBALL & RISER. 2PCS (SEE DETAIL)
- 6-DESIGN BRIM FULL VOLUME; 125 GAL / 473.13 LITERS

APPROVED: _____ DATE: _____



UNLESS OTHERWISE SPECIFIED:
 DIMENSIONS ARE IN INCHES
 TOLERANCES: X.X = ± 1.2%
 X.XX = ± 0.125"
 X.XXX = ± 0.063"

COMMENTS:	MIX / PHARMA / cGMP		
	DRAWN BY: W.W.		Rev 4
	DATE: 03-21-2014	SCALE: NTS	DWG. NO.