



WHITE MOUNTAIN PROCESS
Mixers, Mixtanks, Tank Cleaning
800-737-9619 sales@wmprocess.com

Carboy and Vessel Rinse Station Pre-Engineered and Affordable

Cost-effective solution perfect for midsize facilities

- Handles all sizes and styles of carboys & vessels up to 50 gallons (200 liters)
- Avoid expensive automated solutions

Increase productivity

- Eliminate manual efforts
- Efficient and easy rinse stations quickly get carboys ready for use

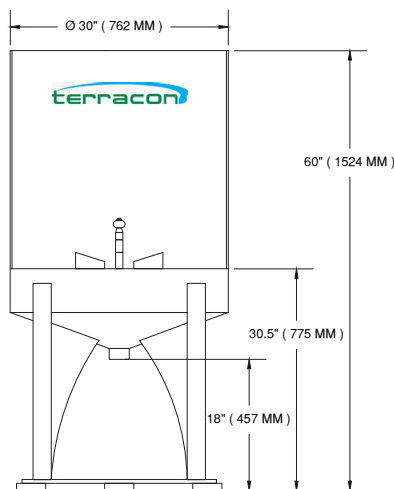
Improve safety

- No more wet floors and slippery hazards
- Compact design keeps water contained without allowing water and residue to leak or splash

Easy to use - portable and flexible

- Mobility kit available
- Ties in easily with existing water source
- Uses standard plumbing connections

Standard White Mountain Process Rinse Station:



- No electricity required
- Inlet: 1/2" NPT female
- Drain: 1 1/2" NPT female

Call or e-mail White Mountain Process today for additional information.



Compact rinse station for lab and process carboys and vessels.

- Save time
- Save water
- Save money

Please contact White Mountain Process for pricing/questions:

Toll Free: 1-800-737-9619
Phone: 1-617-202-2200
Fax: 1-617-531-2090
Email: sales@wmprocess.com

